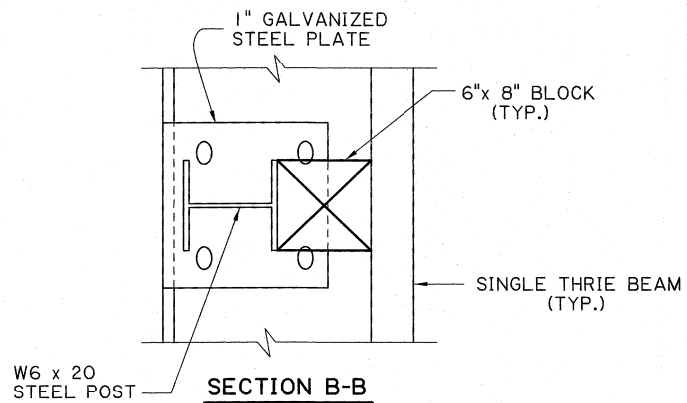
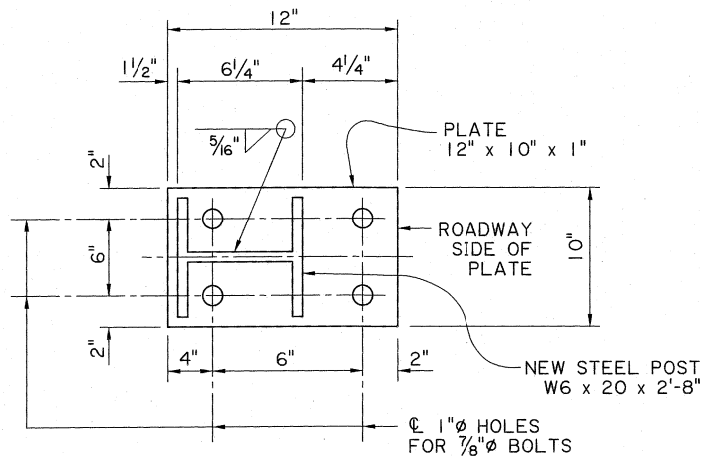


SECTION A-A

ELEVATION



SECTION B-B



BASE PLATE FOR POST ASSEMBLY  
12" x 10" x 1" STEEL

**NOTES**

FOR ADDITIONAL INFORMATION ON GUARD RAIL, SEE STD. PLAN GR-200 AND GR-202.

ALL WORK AND MATERIALS REQ'D. TO INSTALL GUARD RAIL ON BOX CULVERTS SHALL BE PAID FOR UNDER ITEM 704-01-01000 GUARD RAIL (SINGLE THRIE BEAM) (3'-1 1/2" POST SPA.)

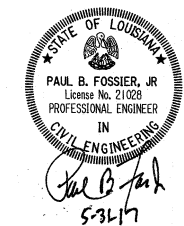
GUARD RAIL SPLICES SHALL BE MADE AT POST LOCATIONS ONLY.

\*DRILL 1" Ø HOLES, 6" DEEP FOR 7/8" Ø GALVANIZED BOLT. USE 7/8" GALVANIZED NUT WITH GALVANIZED CUT WASHER.

ALL HOLES DRILLED INTO AN EXISTING CONCRETE STRUCTURE SHALL BE CLEANED WITH COMPRESSED AIR AND MADE FREE OF ANY OIL OR RESIDUE. HOLES SHALL BE FILLED WITH 7/8" Ø INJECTION SYSTEM AS LISTED ON APPROVED MATERIALS LIST, PRODUCT CATEGORY "CONCRETE ANCHOR SYSTEMS." PLACE BOLT IN HOLE IMMEDIATELY AND WAIT FOR MANUFACTURERS CURE TIME.

ALL STRUCTURAL STEEL SHALL BE ASTM A-36 AND GALVANIZED. ALL 5/8" Ø BOLTS SHALL BE ASTM A307.

FOR INFORMATIONAL PURPOSES ONLY



SHEET NUMBER		PARISH		CONTROL SECTION		STATE PROJECT	
DESIGNED	P. FOSSIER	CHECKED	C. GAUDRY	REVIEWED	K. BRAUNER	SERIES #	
REVIEWED	J. BENTON	CHECKED	P. FOSSIER	BY	P. F.		
4-8-16		GUARDRAIL HEIGHT, ANCHOR BOLT NOTE AND BASE PLATE		DATE		NO.	
TOP MOUNTED GUARD RAIL (FOR BOX CULVERTS)							
BD.2.6.4.2.02							
BRIDGE AND STRUCTURAL DESIGN							